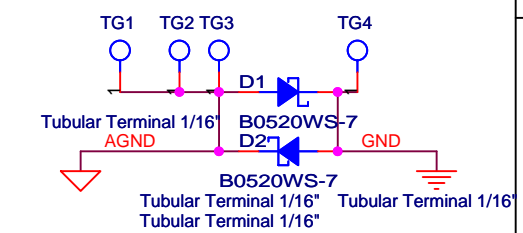
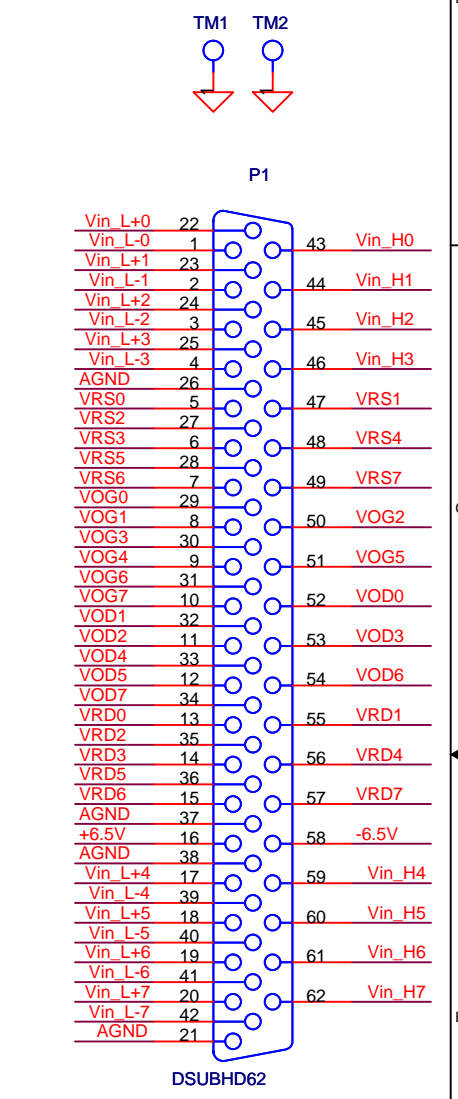
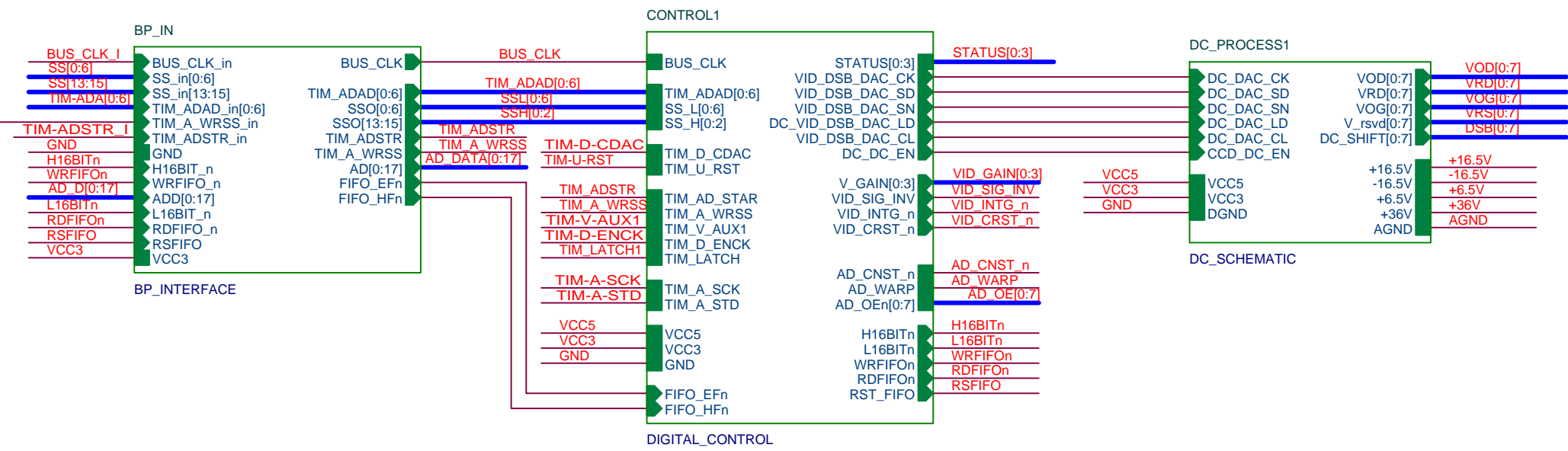
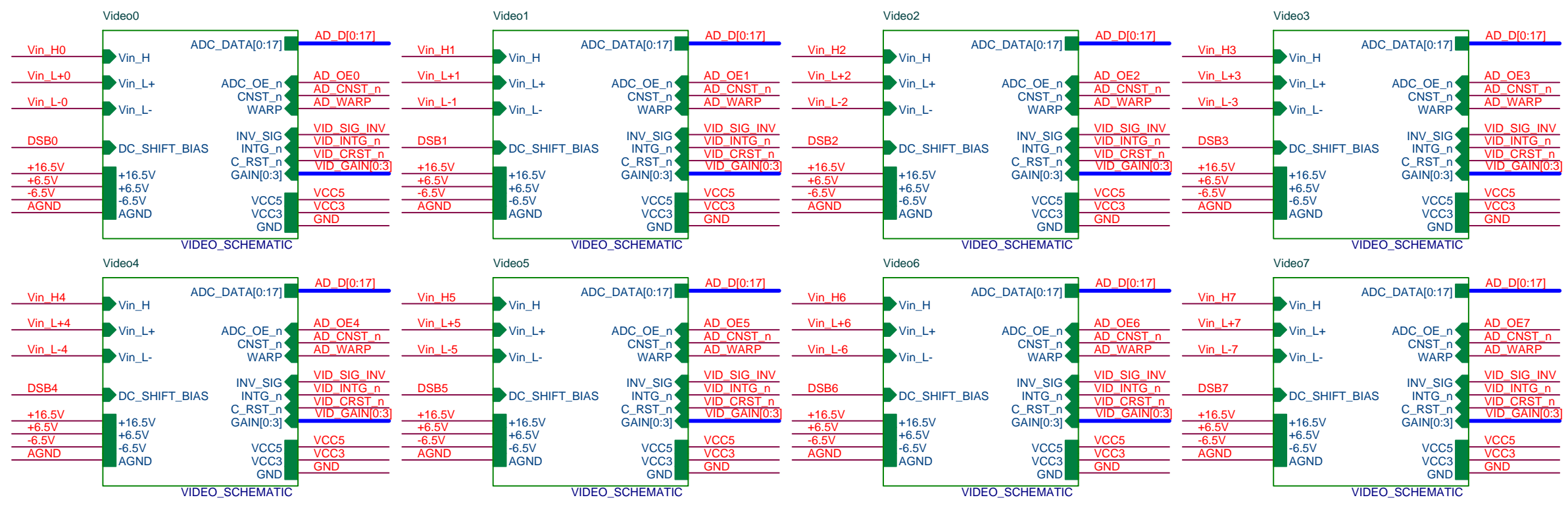
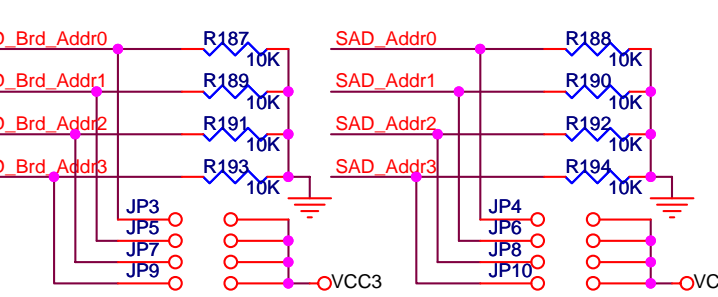
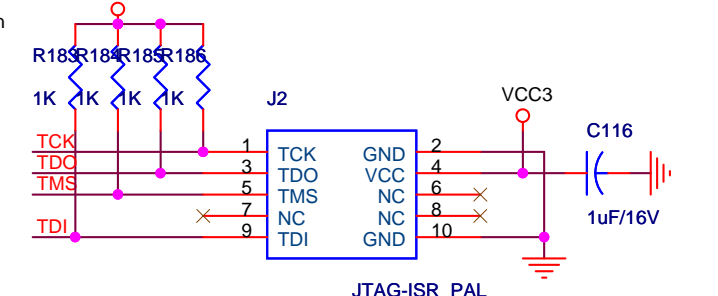
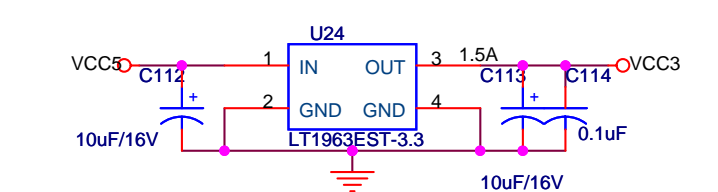
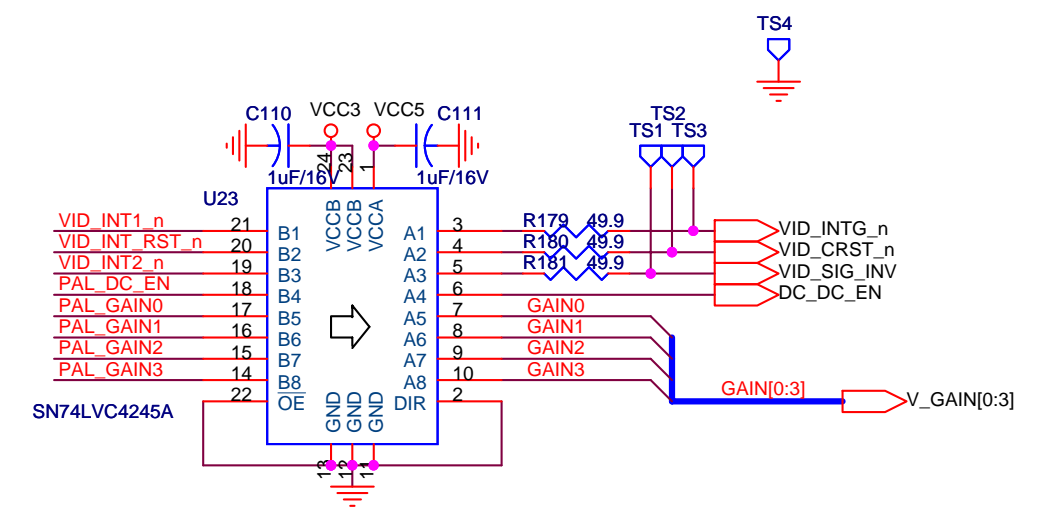
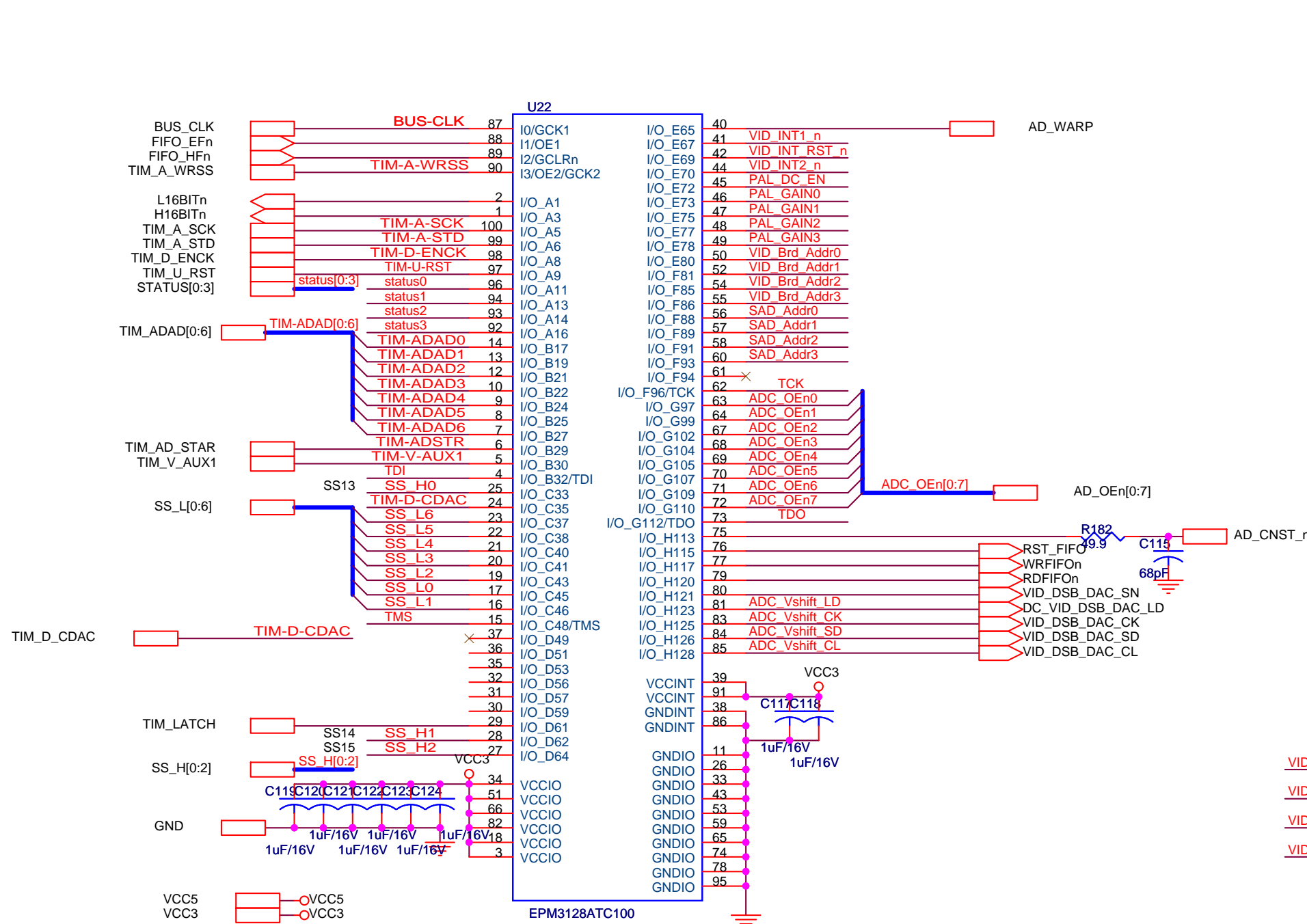
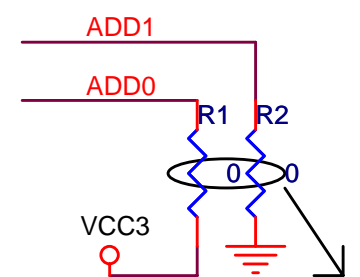
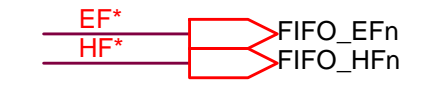
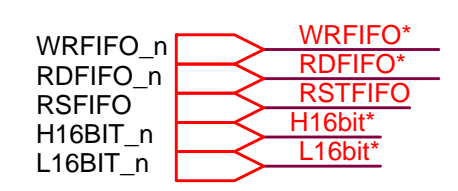
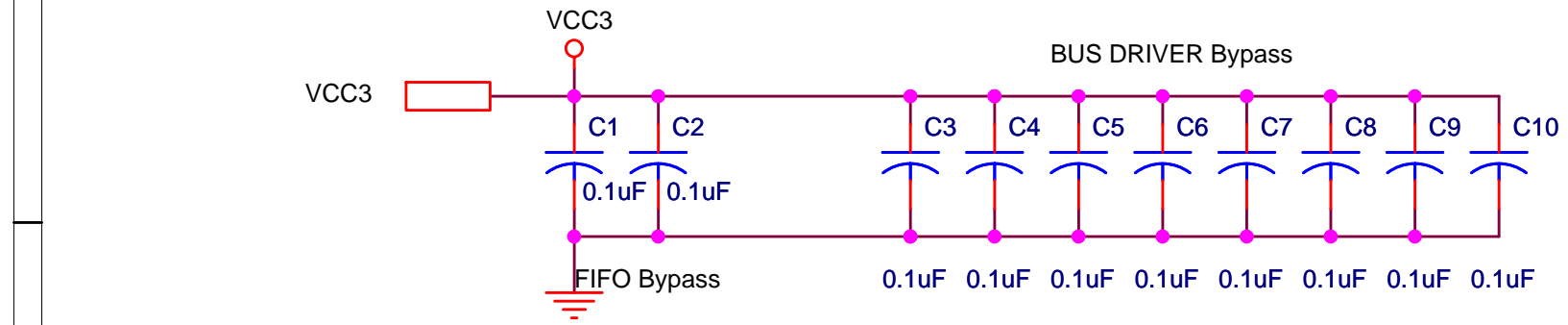
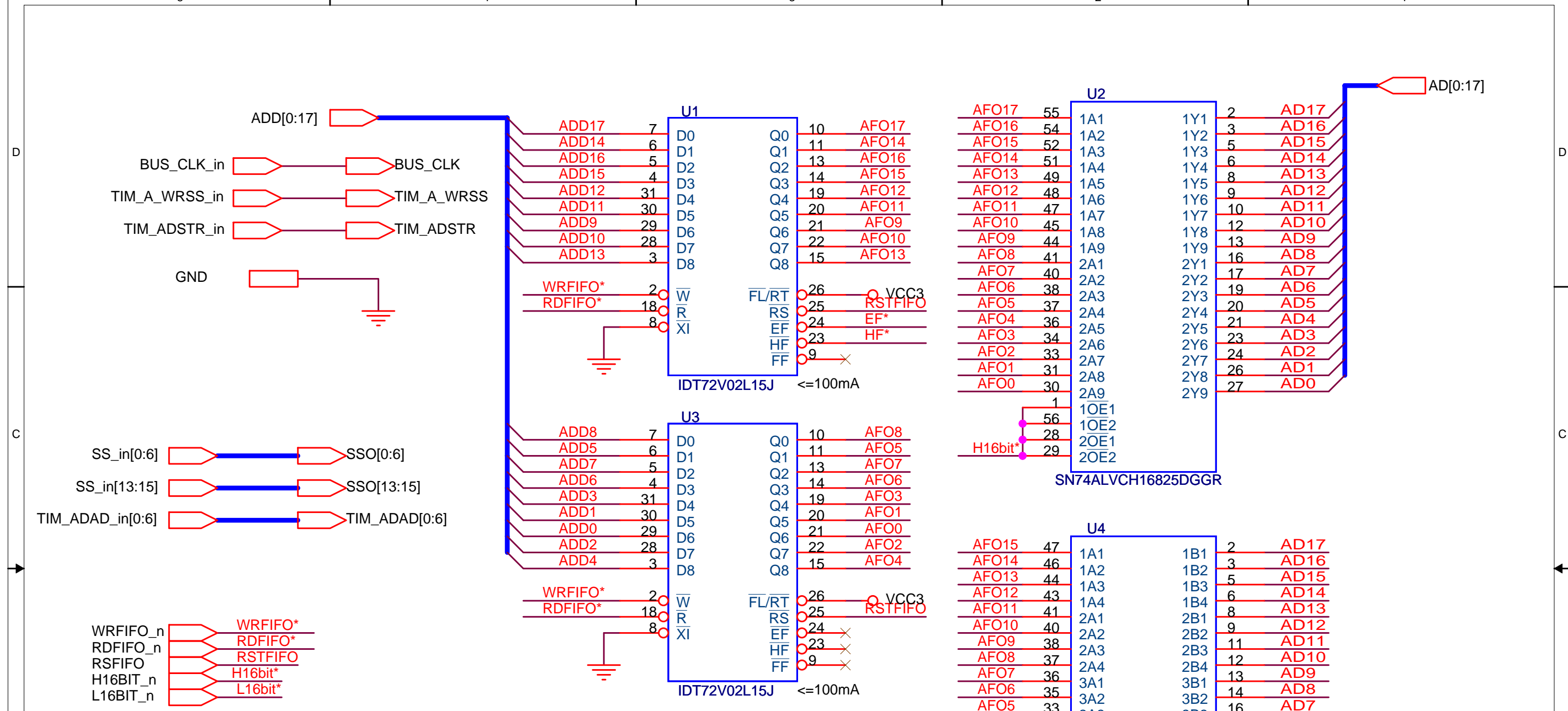


- A1 A1 SS14
- A2 A2
- A3 A3
- A4 A4
- A5 A5 SS6
- A6 A6 SS4
- A7 A7 SS2
- A8 A8 SS0
- A9 A9 GND
- A10 A10 GND
- A11 A11 GND
- A12 A12 BUS\_CLK\_I
- A13 A13
- A14 A14 TIM-ADA0
- A15 A15 GND
- A16 A16 TIM-ADA3
- A17 A17 AGND
- A18 A18 AGND
- A19 A19 AGND
- A20 A20 AGND
- A21 A21
- A22 A22
- A23 A23
- A24 A24
- A25 A25 STATUS0
- A26 A26 STATUS1
- A27 A27 STATUS2
- A28 A28 STATUS3
- A29 A29 TIM-V-AUX1
- A30 A30
- A31 A31 -16.5V
- A32 A32 VCC5
- A32
- B1 B1
- B2 B2
- B3 B3 TIM-D-CDAC
- B4 B4
- B5 B5
- B6 B6
- B7 B7
- B8 B8 AD\_DATA0
- B9 B9 AD\_DATA1
- B10 B10
- B11 B11
- B12 B12 TIM-A-SCK
- B13 B13 TIM-A-STD
- B14 B14 TIM-ADA1
- B15 B15 TIM-ADA2
- B16 B16 TIM-ADA4
- B17 B17 TIM-ADSTR\_I
- B18 B18
- B19 B19 AGND
- B20 B20 AGND
- B21 B21 TIM\_LATCH1
- B22 B22
- B23 B23 AGND
- B24 B24
- B25 B25
- B26 B26
- B27 B27 TIM-A-WRSS\_I
- B28 B28 TIM-D-ENCK
- B29 B29
- B30 B30 -6.5V
- B31 B31 +36V
- B32 B32 VCC5
- C1 C1 SS15
- C2 C2 SS13
- C3 C3
- C4 C4
- C5 C5
- C6 C6 SS5
- C7 C7 SS3
- C8 C8 SS1
- C9 C9 GND
- C10 C10 AD\_DATA2
- C11 C11 AD\_DATA3
- C12 C12 AD\_DATA4
- C13 C13 AD\_DATA5
- C14 C14 AD\_DATA6
- C15 C15 AD\_DATA7
- C16 C16 AD\_DATA8
- C17 C17 AD\_DATA9
- C18 C18 AD\_DATA10
- C19 C19 AD\_DATA11
- C20 C20 AD\_DATA12
- C21 C21 AD\_DATA13
- C22 C22 AD\_DATA14
- C23 C23 AD\_DATA15
- C24 C24 AD\_DATA16
- C25 C25 AD\_DATA17
- C26 C26 TIM-ADA5
- C27 C27 TIM-ADA6
- C28 C28 +6.5V
- C29 C29 TIM-U-RST
- C30 C30
- C31 C31 +16.5V
- C32 C32 VCC5
- DIN-96

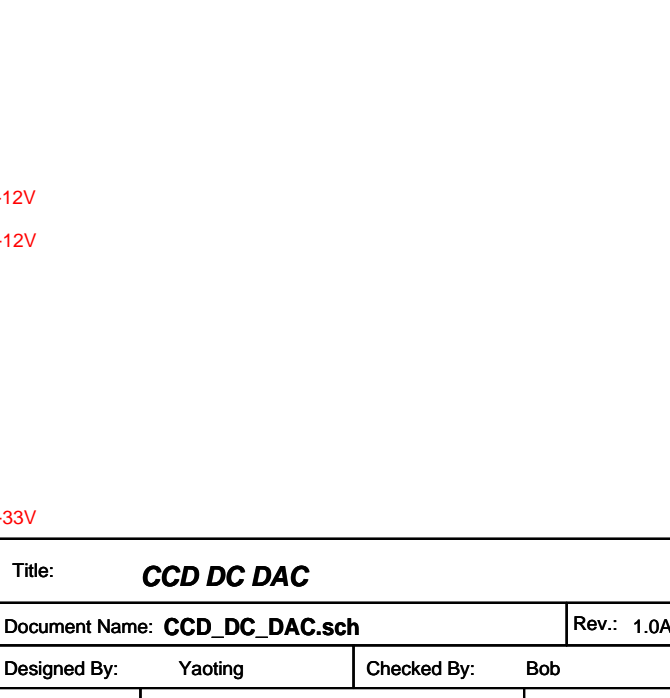
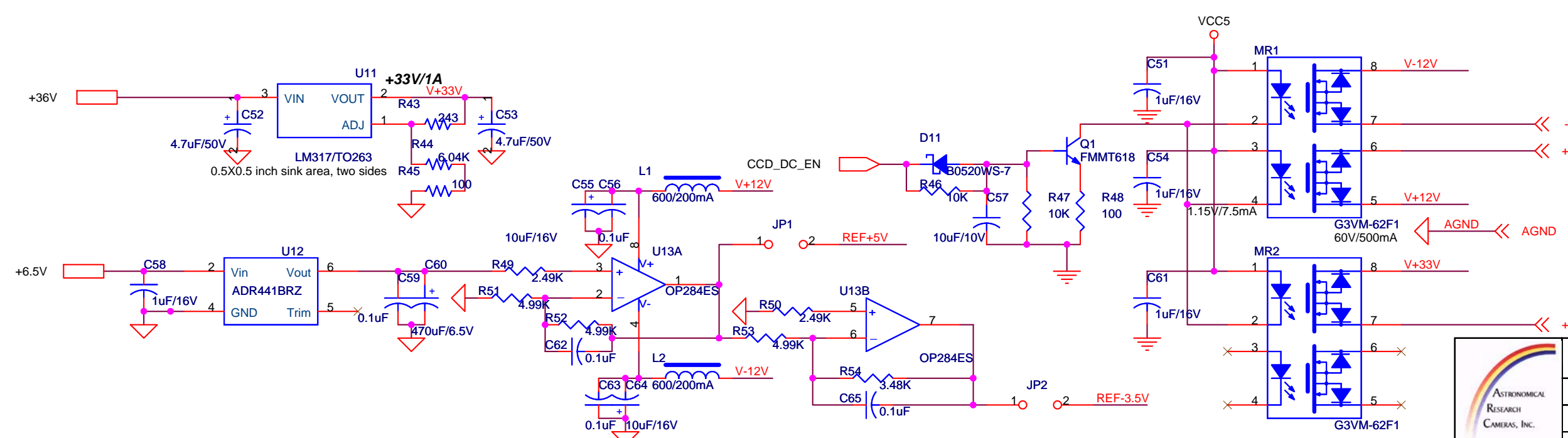
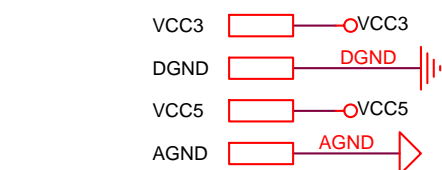
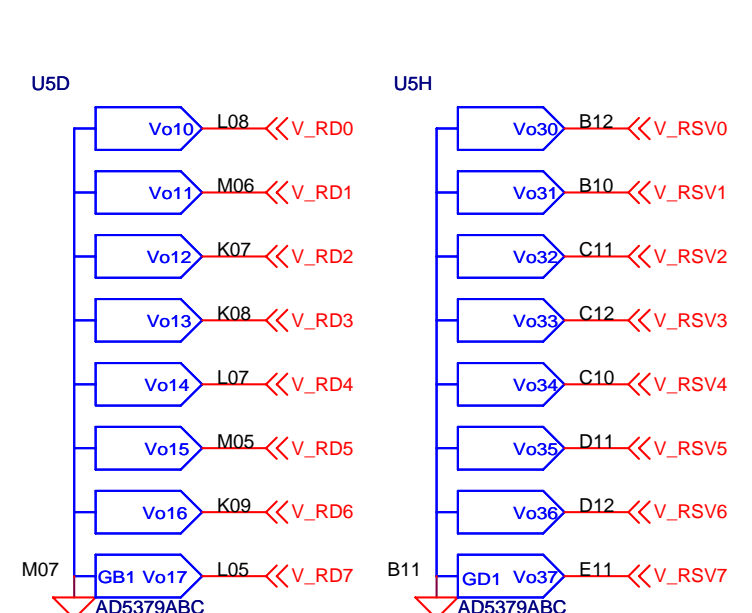
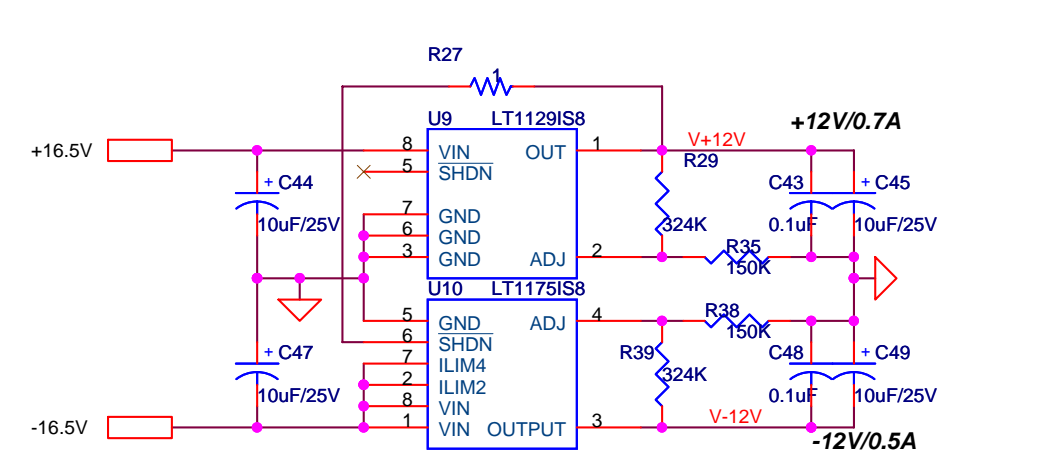
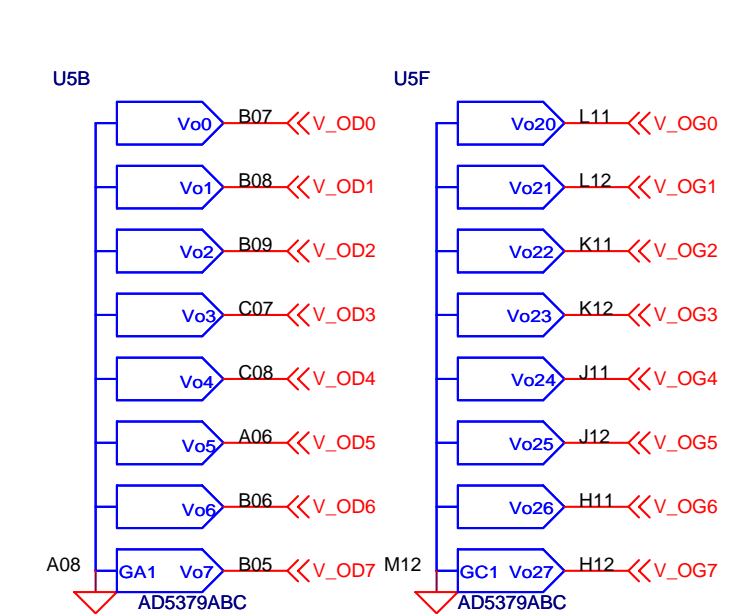
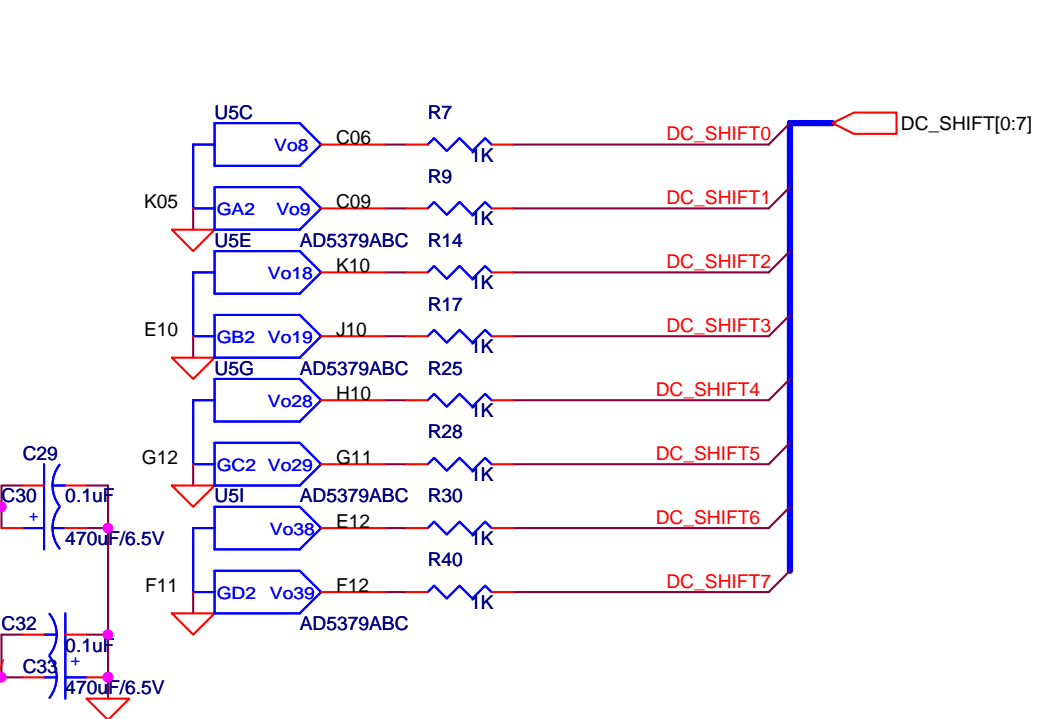
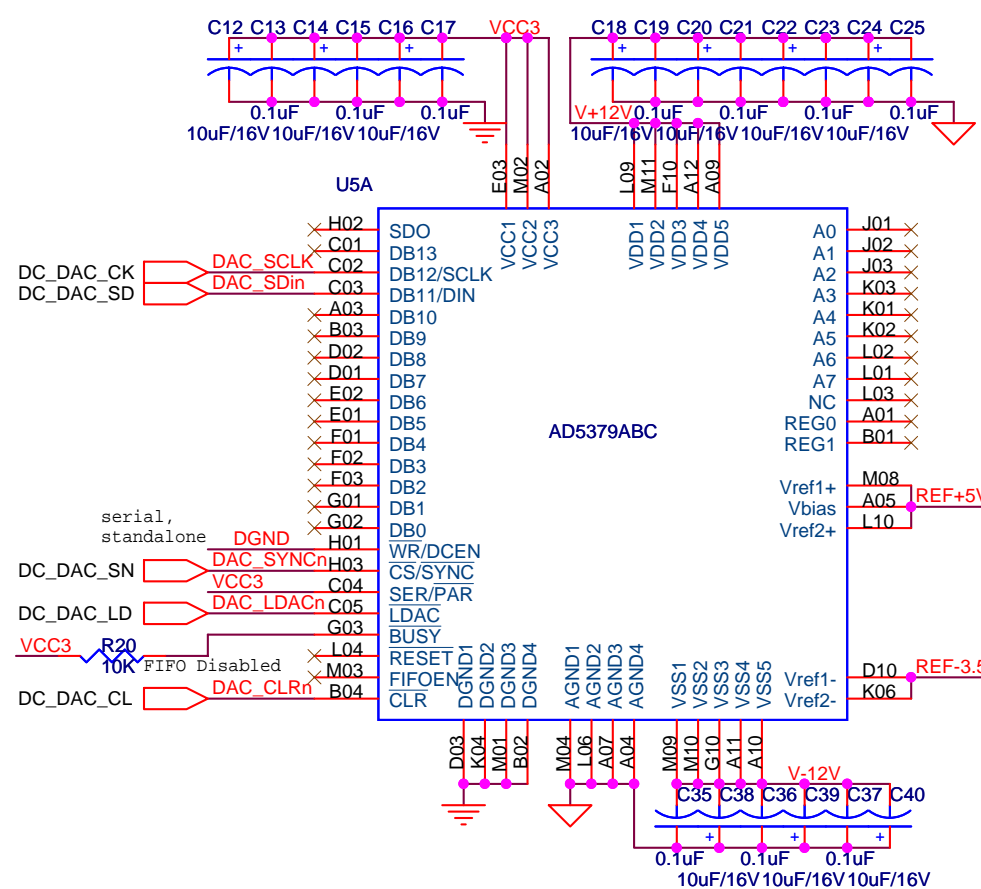






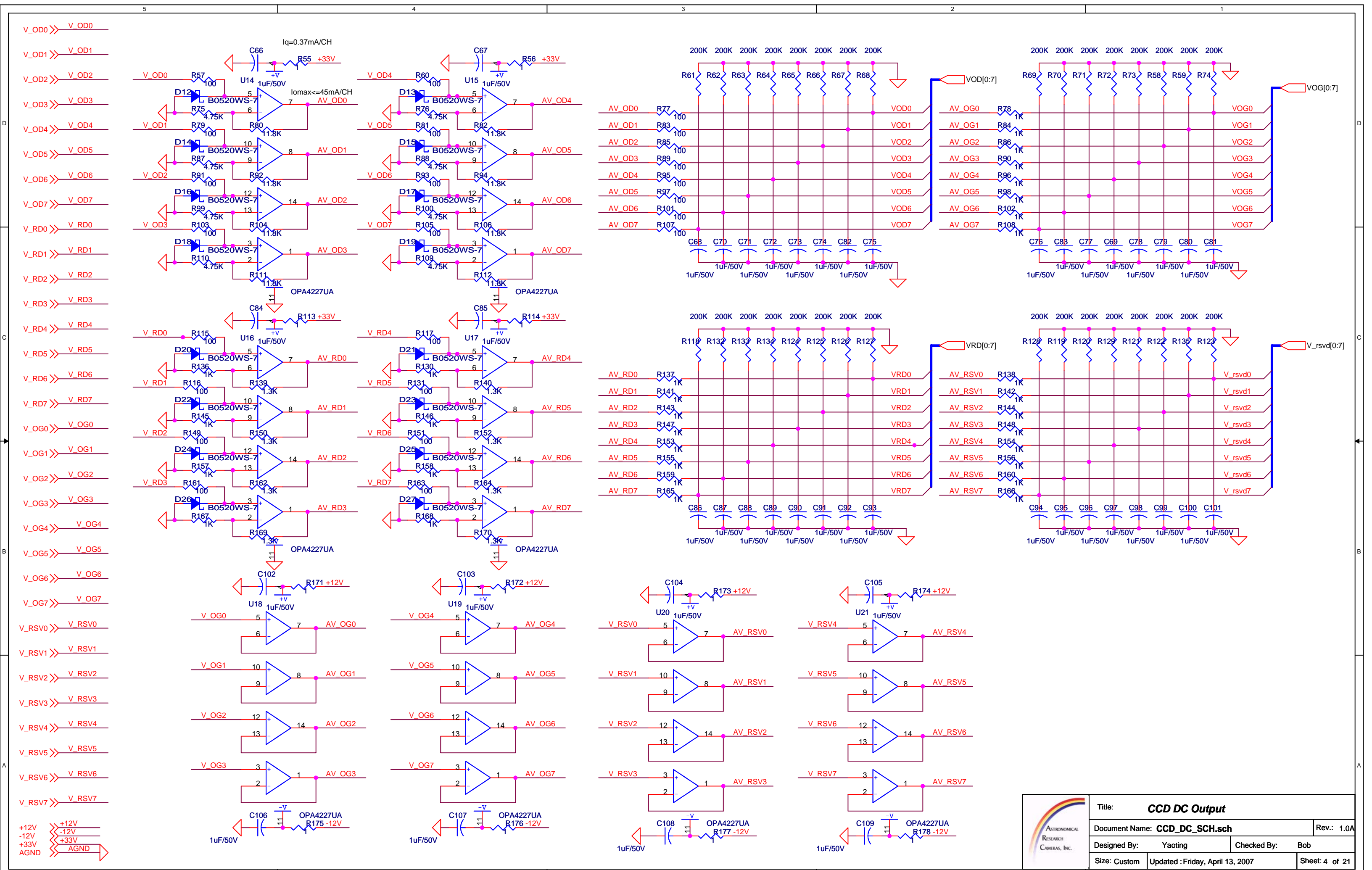
Populated ONLY for AD7621 AD converter!

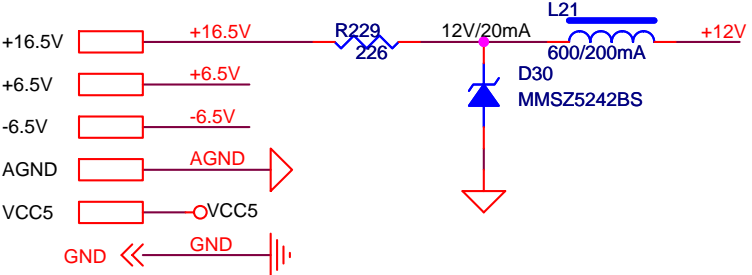
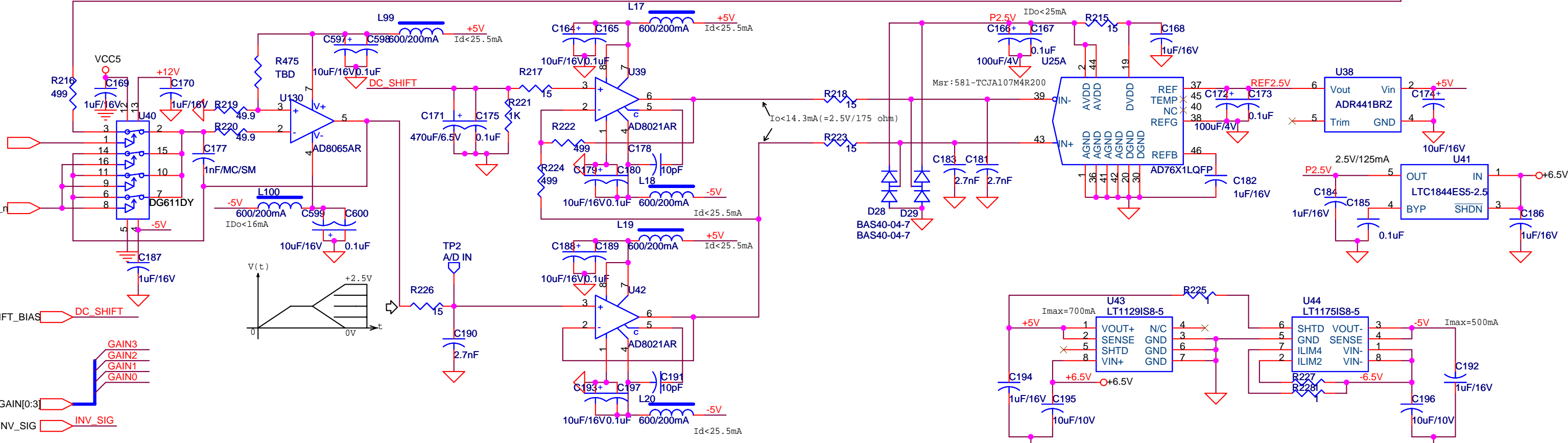
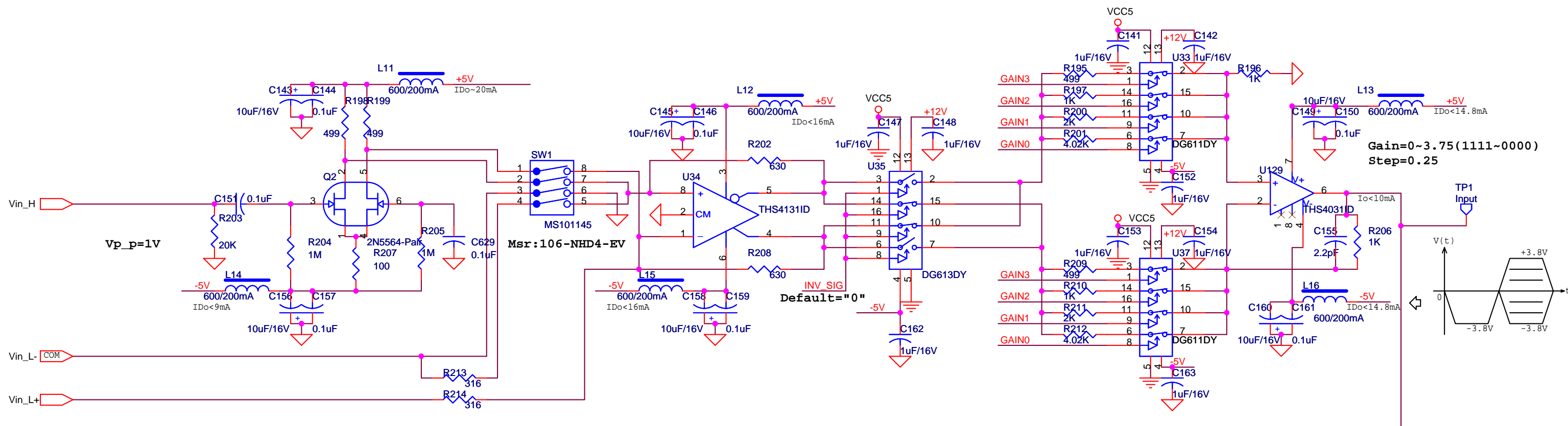
	Title: <b>Back Plane Signal Buffer</b>		
	Document Name: <b>BackPlane_Buff.sch</b>		Rev.: 1.0A
	Designed By: Yaoting	Checked By: Bob	
	Size: A	Updated : Friday, April 06, 2007	Sheet: 2 of 21



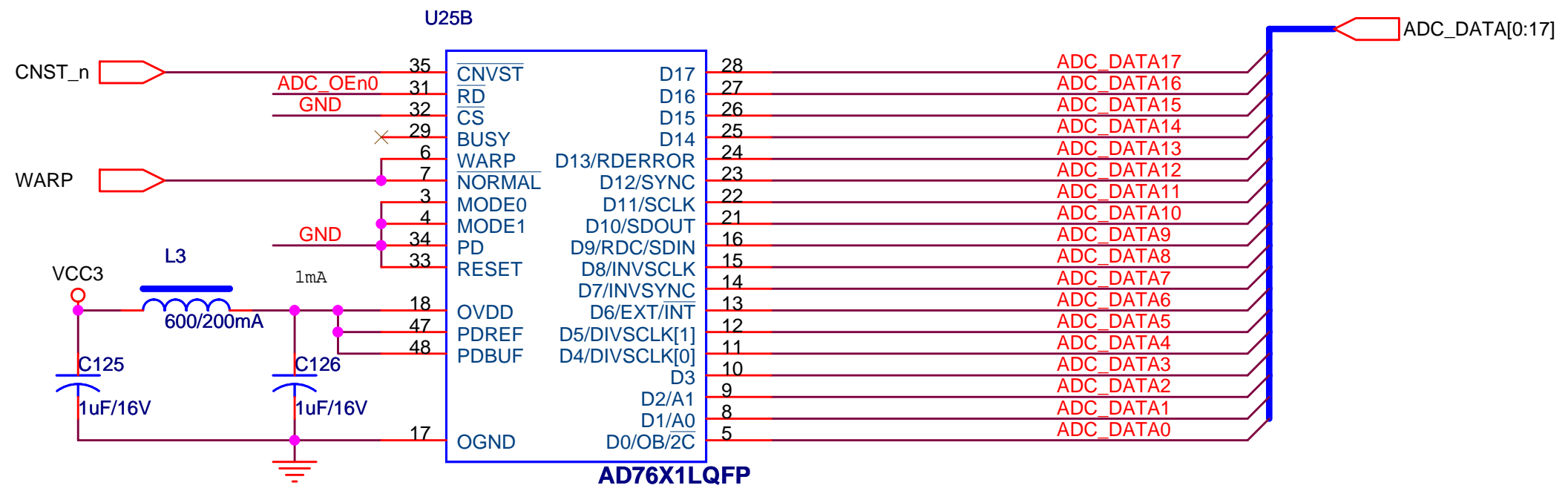
		<b>Title: CCD DC DAC</b>	
		Document Name: <b>CCD_DC_DAC.sch</b>	Rev.: 1.0A
Designed By: <b>Yaoting</b>	Checked By: <b>Bob</b>		
Size: <b>B</b>	Updated: <b>Friday, April 20, 2007</b>	Sheet: <b>3</b> of <b>21</b>	







	Title: <b>CCD Video Process Channel</b>		
	Document Name: <b>Video_channel.sch</b>		Rev.: 1.0A
	Designed By: <b>Yaoting</b>	Checked By: <b>Bob</b>	
	Size: <b>B</b>	Updated: <b>Friday, April 20, 2007</b>	
	Sheet: 14 of 21		

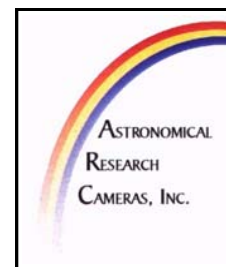


ADC\_OE\_n ADC\_OEn0

GND

VCC3 VCC3

GND GND



Title: <b>Video AD Conversion</b>			
Document Name: <b>AD_Conversion.sch</b>			Rev.: 1.0A
Designed By: Yaoting		Checked By: Bob	
Size: A	Updated : Monday, April 23, 2007		Sheet: 6 of 21